

**Model:** MHC-C33, TC-WR445

**No. 493**

**Subject:** No Operation of Deck A

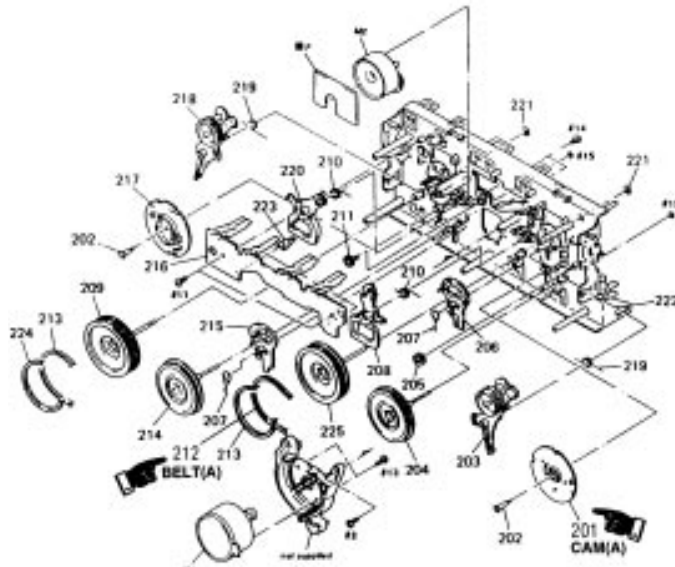
**Date:** August 29, 1996

**Symptom:**

**(161)** The Capstan belt slips due to the excessive load exerted by Cam (A).

**Solution:**

Replace Cam (A) with the improved part 3-908-597-05 and Belt (A) with the improved part 3-913-845-11.



**PROCEDURE:**

1. Remove the Flywheel

Washers.



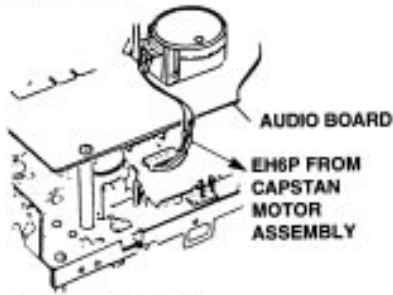
2. Remove the Capstan Motor Lead Connector

EH6P.

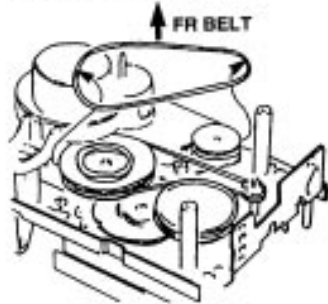
Cont.



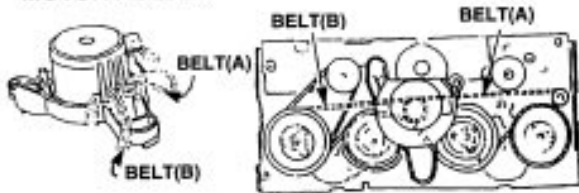
3. REMOVE THE AUDIO BOARD



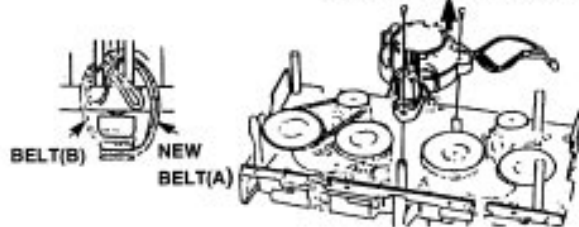
4. REMOVE THE FR BELT



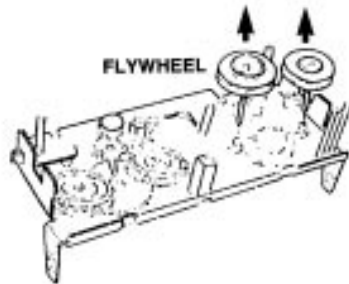
5. REMOVE THE CAPSTAN BELTS (A) AND (B), AND TENTATIVELY HOOK THEM ON TO THE MOTOR HOLDER



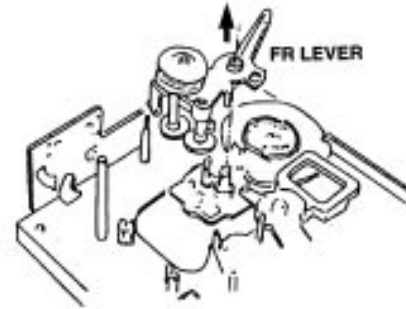
6. REMOVE THE CAPSTAN MOTOR ASSEMBLY, THEN INSTALL THE NEW CAPSTAN BELT (A)



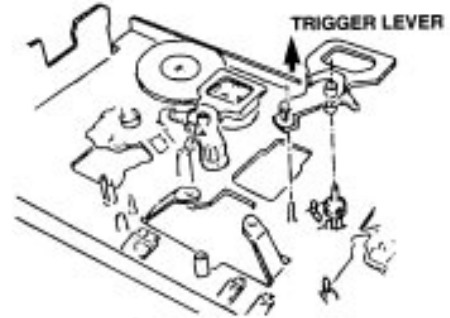
7. REMOVE THE FLYWHEELS



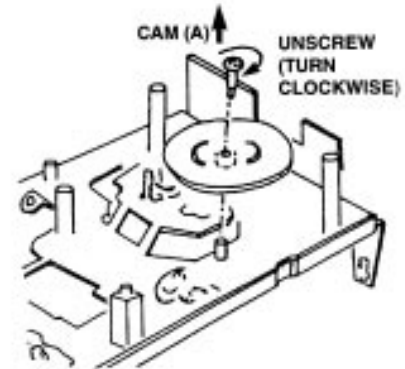
8. REMOVE THE FR LEVER



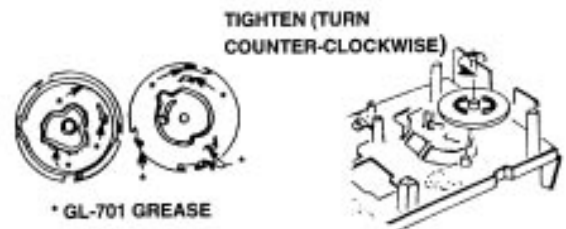
9. REMOVE THE TRIGGER LEVER



10. REMOVE CAM (A). TURN THE SCREW CLOCKWISE

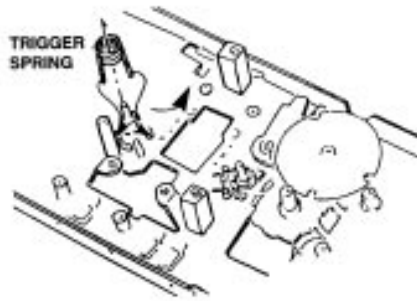


11. INSTALL THE NEW CAM (A). APPLY GL-701 GREASE ON THE SPOTS INDICATED. TURN SCREW COUNTER-CLOCKWISE

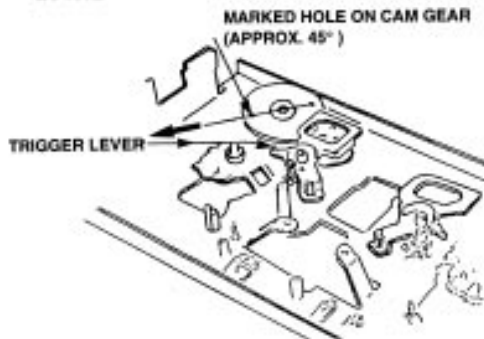


(Continued)

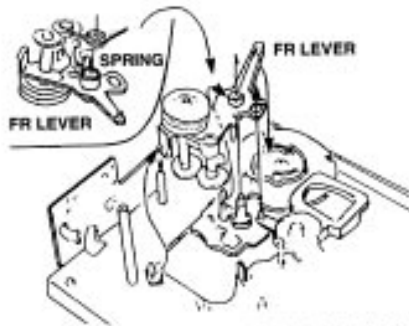
12. INSTALL THE TRIGGER SPRING



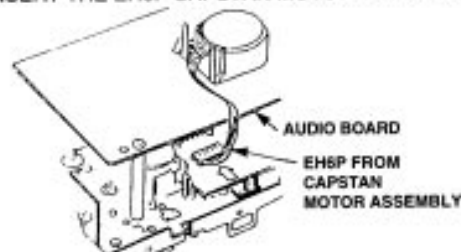
13. RE-INSTALL THE TRIGGER LEVER. SIDE A OF THE TRIGGER SHOULD BE LOCATED ALONGSIDE THE PIN. MAKE SURE THAT THE MARKED HOLE ON THE CAM GEAR IS POINTING IN THE DIRECTION OF THE ARROW SHOWN



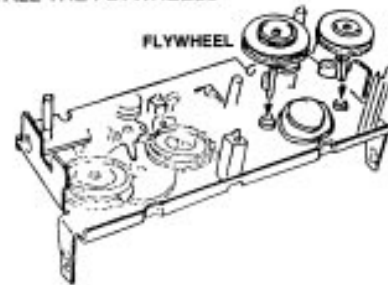
14. HOOK THE SPRING, TURN THE FR LEVER UPSIDE DOWN AND RE-INSTALL



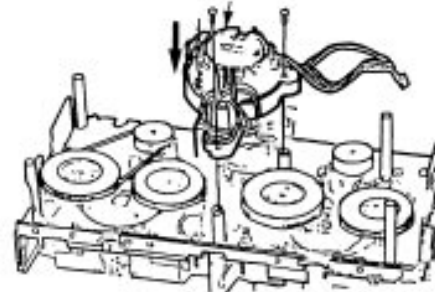
20. RE-INSERT THE EH6P CAPSTAN MOTOR CONNECTOR



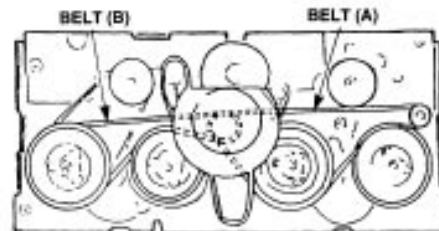
15. RE-INSTALL THE FLYWHEELS



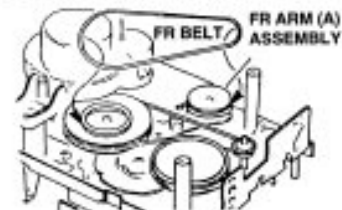
16. RE-INSTALL THE CAPSTAN MOTOR ASSEMBLY



17. PLACE THE CAPSTAN BELT AS SHOWN



18. PLACE THE FR BELT AROUND THE FLYWHEEL



19. RE-INSTALL THE AUDIO BOARD